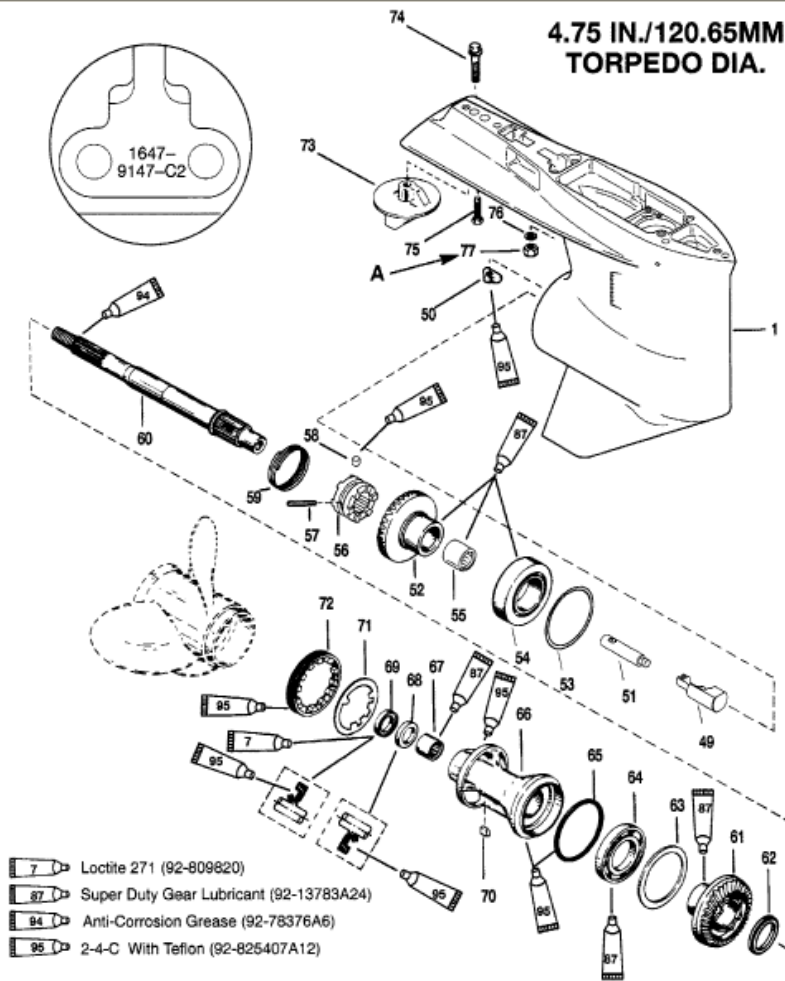


**4.75 IN./120.65MM  
 TORPEDO DIA.**



A - Torque nut to 55 lb. in. (74.5 N-m)

**Parts List**

| Ref | Class | Part      | Description                 | Qty | Comment                         | Footnote |
|-----|-------|-----------|-----------------------------|-----|---------------------------------|----------|
| 1   | 1647  | 9148793   | GEAR HOUSING                | 1   | (BLACK)(BASIC)                  |          |
| 49  |       | 89594A 1  | CAM FOLLOWER                | 1   |                                 |          |
| 50  |       | 78956 2   | SHIFT CAM                   | 1   |                                 |          |
| 51  |       | 828287    | ROD                         | 1   |                                 |          |
| 52  | 43    | 828174A 2 | GEAR SET                    | 1   | (150/XR6/MAG. III/175/200)(1.87 |          |
| 52  | 43    | 828176A 2 | GEAR SET                    | 1   | (135)(2.0:1 - 14/28)            |          |
| 53  | 15    | 44491A 1  | SHIM (.006-7-9-10-20)       | AR  |                                 | 5        |
| 54  | 31    | 30894A 1  | TAPERED ROLLER BEARING      | 1   |                                 |          |
| 55  | 31    | 30895     | NEEDLE BEARING              | 1   |                                 |          |
| 56  | 52    | 854735T   | CLUTCH                      | 1   |                                 | 1        |
| 57  | 17    | 30632     | CROSS PIN                   | 1   |                                 |          |
| 58  | 17    | 828356    | DETENT PIN                  | 1   |                                 |          |
| 59  | 24    | 30893     | SPRING                      | 1   |                                 |          |
| 60  | 44    | 94148     | PROPELLER SHAFT             | 1   |                                 |          |
| 61  | 43    | 828175A 1 | REVERSE GEAR                | 1   | (150/XR6/MAG. III/175/200)(1.87 |          |
| 61  | 43    | 828177A 1 | REVERSE GEAR                | 1   | (135)(2.0:1 - 14/28)            |          |
| 62  | 23    | 824108    | THRUST SPACER               | 1   |                                 |          |
| 63  |       | 68100 1   | THRUST RING                 | 1   |                                 |          |
| 64  | 30    | 88957     | BALL BEARING                | 1   |                                 |          |
| 65  | 25    | 31534     | O-RING                      | 1   |                                 | 4,9      |
| 66  |       | 43567A 1  | BEARING CARRIER ASSEMBLY    | 1   |                                 |          |
| 67  | 31    | 30956     | ROLLER BEARING              | 1   |                                 |          |
| 68  | 26    | 14077     | OIL SEAL (INSIDE)           | 1   |                                 |          |
| 69  | 26    | 76868     | OIL SEAL (OUTSIDE)          | 1   |                                 | 9        |
| 70  | 28    | 30281     | KEY                         | 1   |                                 |          |
| 71  | 14    | 79447     | TAB WASHER                  | 1   |                                 |          |
| 72  |       | 79448     | COVER                       | 1   |                                 |          |
| 73  |       | 31640 5   | TRIM TAB                    | 1   |                                 |          |
| 73  |       | 76214A 5  | ANODIC PLATE                | 1   | (TRACKER/XR6/MAG III/175/200)   |          |
| 74  | 10    | 806327    | SCREW (7/16-14 X 1-3/4 IN.) | 1   |                                 |          |
| 75  | 10    | 65210     | SCREW (3/8-16 X 1)          | 1   |                                 |          |
| 76  | 12    | 45176     | WASHER                      | 2   |                                 |          |
| 77  | 11    | 34933     | NUT                         | 2   |                                 |          |
| -   | 27    | 815791A92 | ENGINE GASKET SET           | 1   |                                 |          |
| -   | 26    | 89238A 2  | G/H SEAL KIT                | 1   |                                 |          |